

## Fluid Audio Announce Axis Microphone



Fluid Audio LLC, makers of professional audio products for recording and mixing, announces the release of its new AXIS studio condenser microphone.

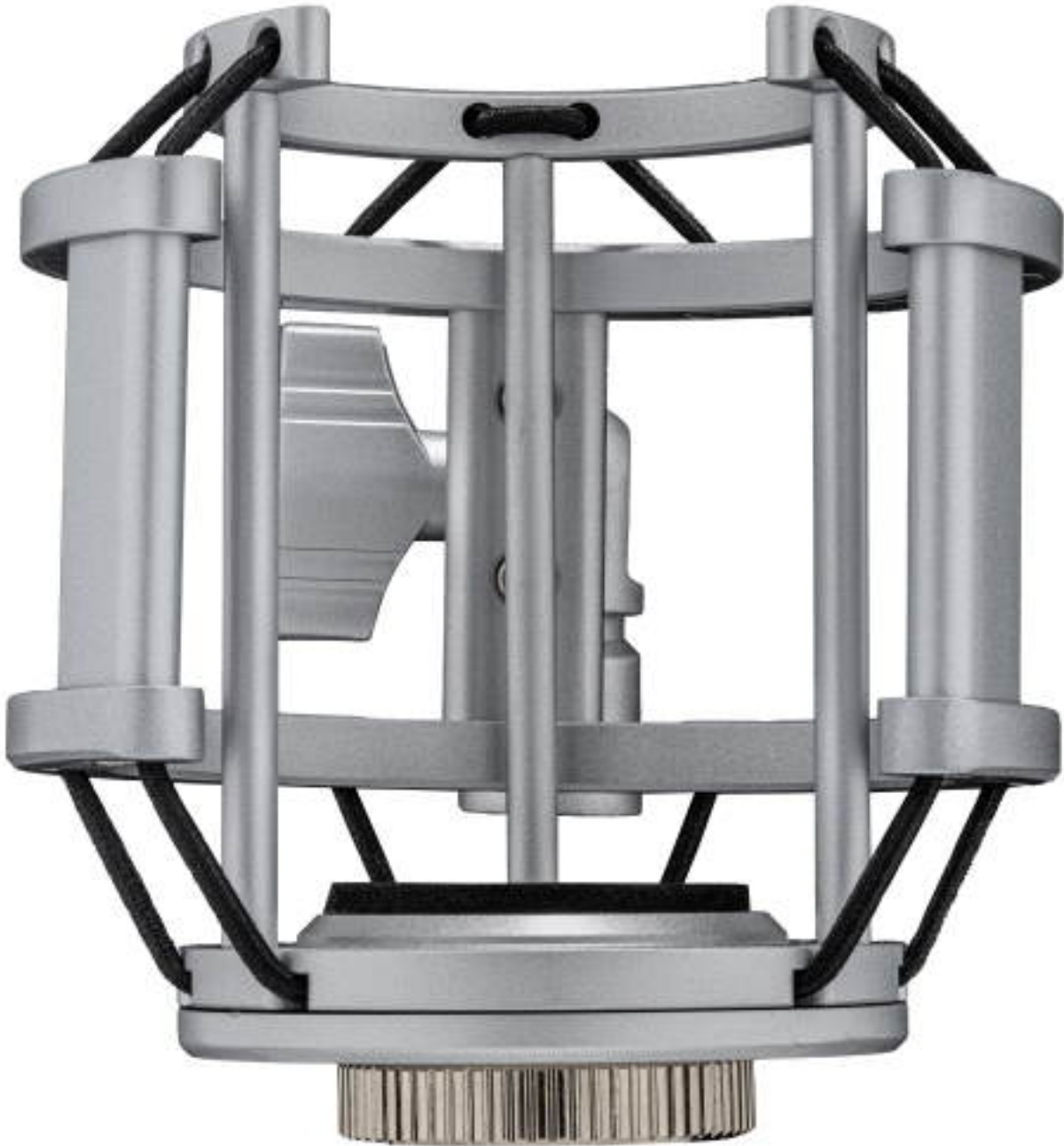
The AXIS offers a gold-sputtered 34mm diaphragm and ships with a shock mount, pop filter, 5 metre high-grade mic cable, and reinforced hard shell case. The Axis

## Fluid Audio Announce Axis Microphone

Dienstag, 24. August 2021 16:34

---

Condenser microphone fills a needed market space for audio professionals who require top-level sound quality, versatility, and robust construction at what has been typically considered entry-level pricing in this category



### Features At A Glance

- Large capsule (34mm) with gold-sputtered diaphragm
- Cardioid polar pattern • High sensitivity and low noise
- High SPL (suitable for recording loud sources such as drums and brass)
- Elegant and durable brass housing
- Gold plated output connectors

“We’re proud to announce the first in a growing product line of recording microphones, the AXIS studio microphone. Not only is it a fantastic sounding microphone at a killer price, it’s a fine complement to our SRI-2 interface and monitor line-up.” says Fluid Audio CEO and Chief Engineer Kevin Zuccaro.

The new AXIS microphone has a SRP of \$249/ 249€ is set to release August 17th and shipping shortly afterwards. They and can be purchased from any authorized Fluid Audio dealer.

### Technical Data

- Polar pattern: Cardioid Capsule: 34mm large gold-sputtered diaphragm
- Frequency range: 20Hz-20kHz
- Sensitivity: 12.4mV/Pa (-38dBV/Pa +/- 3 dB @ 1kHz)
- Rated impedance: 100Ω
- Rated load impedance: 1000Ω
- Equivalent noise level: 16dB A-weighted
- Max Acoustic SPL: 136dB SPL (@1kHz,1% THD into 1KΩ load)
- Signal-to-noise ratio (A-weighted (@94dB): 77 dB Maximum output: +11 dBu (@1kHz,1% THD into 1KΩ load)
- Connector: 3-pin gold plated XLR female
- Power requirement: 48V +/- 4V phantom power supply

[www.fluidaudio.com](http://www.fluidaudio.com)